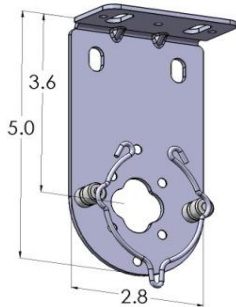


*dimensions in inches



BMLCM Bracket Motor Long Ceiling Mount

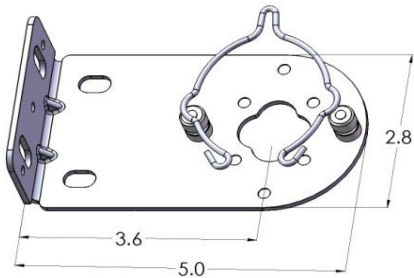
Motor Bracket for LT50 Star Head Motors

Zinc plated steel

Stainless steel screws

Maximum weight capacity - 40LB

Max Roll $\varnothing 6 \frac{3}{4}$ "



BMLWM Bracket Motor Long Wall Mount

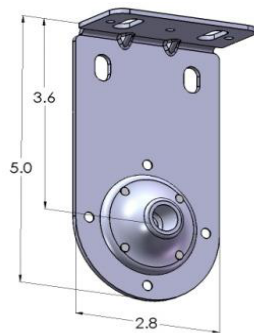
Motor Bracket for LT50 Star Head Motors

Zinc plated steel

Stainless steel screws

Maximum weight capacity - 40LB

Max Roll $\varnothing 6 \frac{3}{4}$ "



BIL Bracket Idler Long

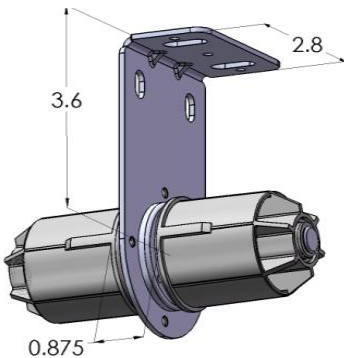
Idler Bracket for LT50 Star Head Motors

Zinc plated steel and Delrin

Stainless steel screws

Maximum weight capacity - 40LB

Max Roll $\varnothing 6 \frac{3}{4}$ "



CBAL Coupling Bracket Assy Long

Works with notched 2 inch tube and tubes with internal key

Zinc plated steel bracket

Delrin and Nylon Composit Components

Maximum weight capacity - 40LB

Max Roll $\varnothing 6 \frac{3}{4}$ "